

UNIVERSALS BE-BS40 LIMITS SWITCH BOXES

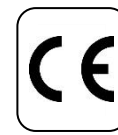
FEATURES

The universals BE/BS40 switch boxes are intended for quarter-turn pneumatic actuators equipment. It allows an easy and direct visualization of the position of the and valve and feedback information to the control. With a compact and economic construction, it can be installed outdoors. This switch boxes are provided with a NAMUR universal fixation system. BE/BS40 enclosures can be equipped with multiple switches and sensors (see below). The notched cams can be manually adjusted with great accuracy, and are insensitive to vibrations.

AVAILABLE MODELS

BE40 : model mechanical switches IP66/67

BS40 : model proximity sensors IP66/67



Sur demande

LIMITS OF USE

Ambiant temperature	-20°C / +80°C
IP Code	IP 66/67

MECHANICAL CONNECTION

Axis dimension	According to VDI/VDE 3845
Plastic brackets for fixation on the actuator	NAMUR 1 : 80x30
	NAMUR 2 : 80x30
	NAMUR 3 : 130x30
	Height of axis : 20, 30, 40, 50



ELECTRICAL CONNECTION

Standard Cable Entries	2 x M20 x 1,5
Gland (included)	2 x M20 x 1,5
Cable entries (option)	2 x 1/2" NPT

BE/BS40 SWITCH DETAILS

Réf.	Switch	Features
BE40	2 mechanical switches SPDT silver	Max 3A-250 Vac Max 5A-125 Vac Max 3A-30 Vcc
BS40	2 proximity sensors 3 wires	PNP 10 - 30 Vdc P+F NBB2 V3 E2

Information given as an indication only, and subject to possible modifications



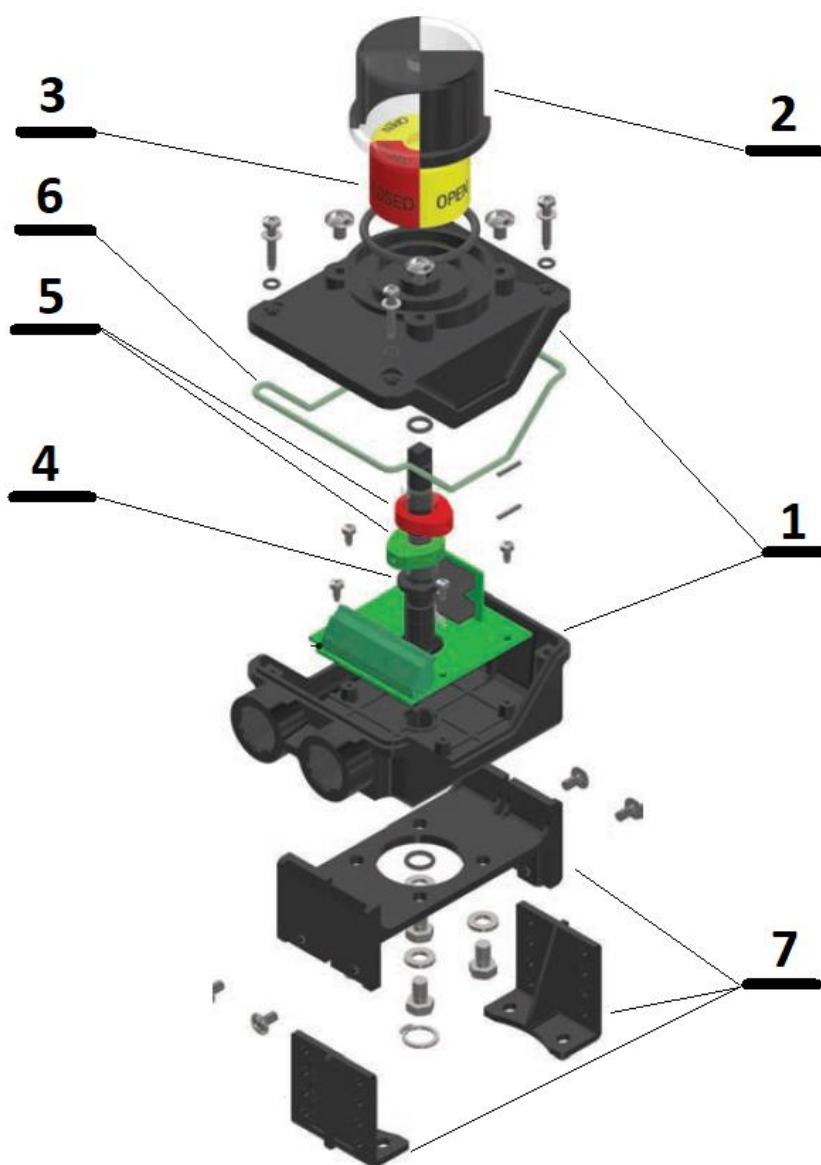
SECTORIEL S.A.
45 rue du Ruisseau
38290 SAINT QUENTIN-FALLAVIER – FRANCE
Tél : +33 4 74 94 90 70 - Fax : +33 4 74 94 13 95
www.sectoriel.com / Email : sectoriel@sectoriel.fr

Pages	1/4
Ref.	FT4600B ENG
Rev.	01
Date	10/2023


UNIVERSALS BE-BS40 LIMITS SWITCH BOXES

CONSTRUCTION

No.	Name	Materials
1	compact housing	Reinforced with 50% glass fiber PA66
2	Lid (dome)	UV resisting polycarbonate
3	3D Indicator (OPEN/CLOSED)	ABS
4	Shaft	Reinforced with 50% glass fiber PA66
5	Cam	ABS
6	Gasket	NBR
7	Universal bracket	Reinforced with 50% glass fiber PA66
	Weight (kg)	0,4

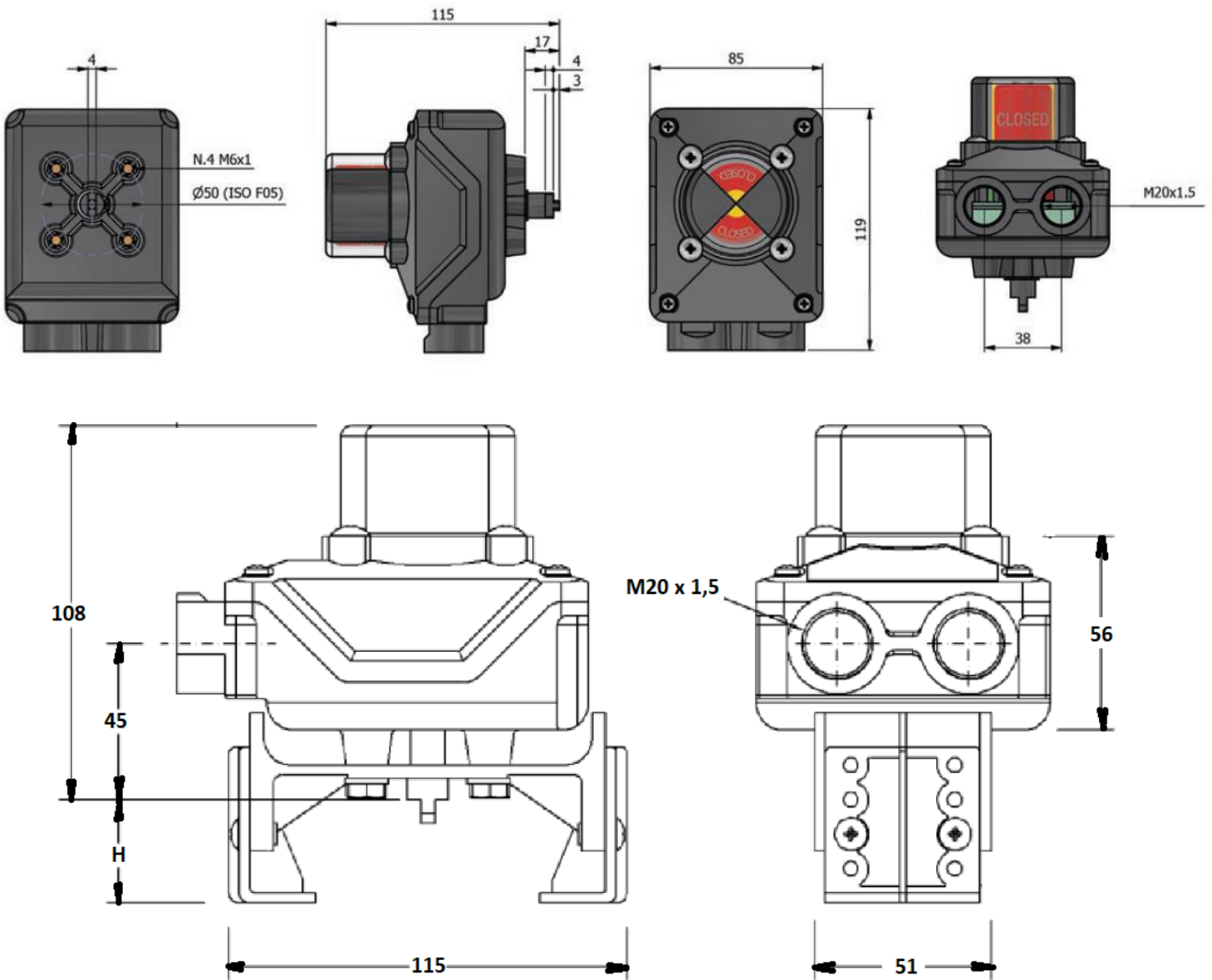


Information given as an indication only, and subject to possible modifications

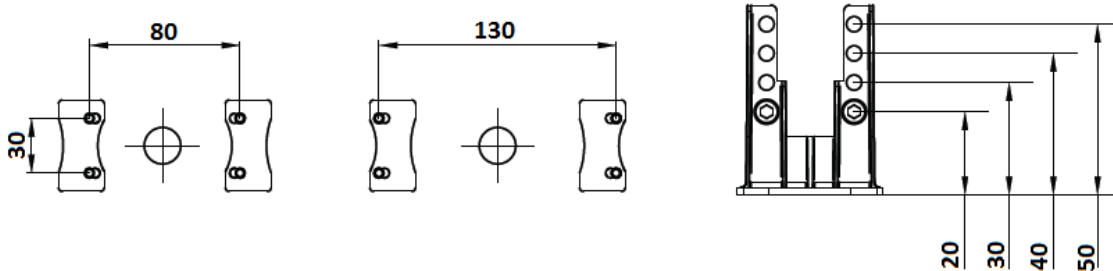
	SECTORIEL S.A. 45 rue du Ruisseau 38290 SAINT QUENTIN-FALLAVIER – FRANCE Tél : +33 4 74 94 90 70 - Fax : +33 4 74 94 13 95 www.sectoriel.com / Email : sectoriel@sectoriel.fr	Pages	2/4
		Ref.	FT4600B ENG
		Rev.	01
		Date	10/2023

UNIVERSALS BE-BS40 LIMITS SWITCH BOXES


DIMENSIONS (mm)



Note: the 'H' dimension depends on the Namur setting chosen by the user. Factory setting H = 30 mm (Namur 30).



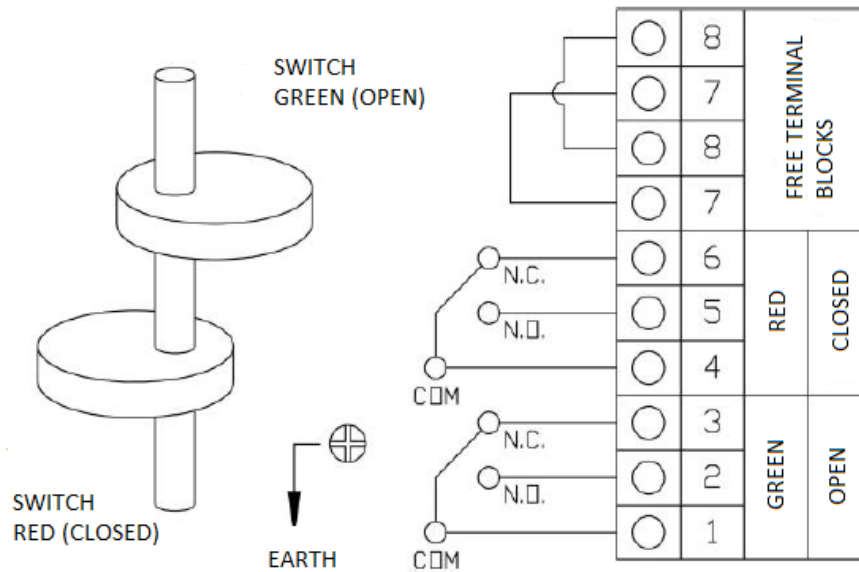
Information given as an indication only, and subject to possible modifications

	SECTORIEL S.A. 45 rue du Ruisseau 38290 SAINT QUENTIN-FALLAVIER – FRANCE Tél : +33 4 74 94 90 70 - Fax : +33 4 74 94 13 95 www.sectoriel.com / Email : sectoriel@sectoriel.fr	Pages	3/4
		Ref.	FT4600B ENG
		Rev.	01
		Date	10/2023

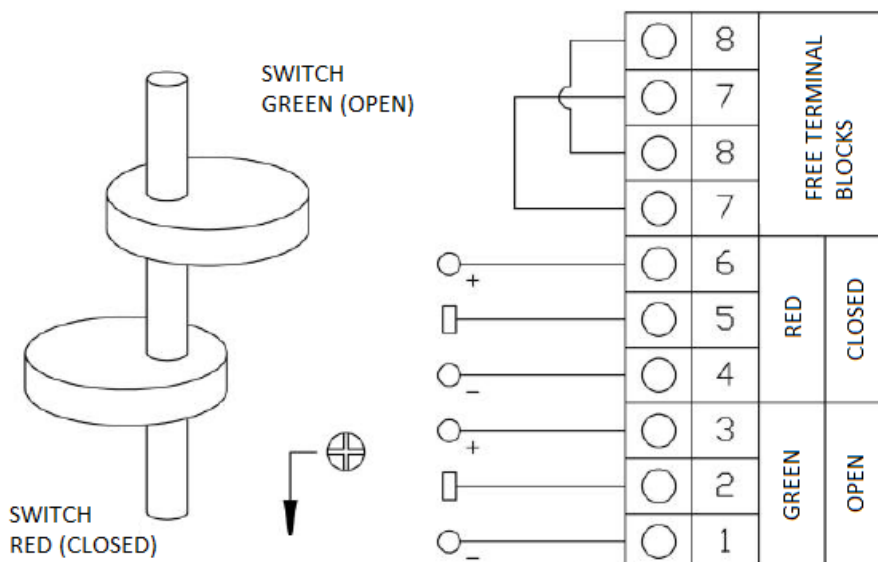
UNIVERSALS BE-BS40 LIMITS SWITCH BOXES

WIRING DIAGRAMS

A) Two SPDT micro switches, mechanical or magnetic



B) 3-wire cubic inductive/proximity sensors



Information given as an indication only, and subject to possible modifications

	SECTORIEL S.A. 45 rue du Ruisseau 38290 SAINT QUENTIN-FALLAVIER – FRANCE Tél : +33 4 74 94 90 70 - Fax : +33 4 74 94 13 95 www.sectoriel.com / Email : sectoriel@sectoriel.fr	Pages	4/4
		Ref.	FT4600B ENG
		Rev.	01
		Date	10/2023